

QV952

2x2 802.11ac Wave 2 Dual Band Selectable Client

PRODUCT BRIEF



Features

- Member of High Performance QSR2000C product family, QV952 builds upon Quantenna high performance Wi-Fi features and ports them onto a 2x2 DBS solution for form factor applications
- 802.11a/n/ac Wave 2 MIMO 2x2: 2 Spatial streams (5GHz)
- 802.11b/g/n MIMO 2x2: 2 Spatial Streams (2.4GHz)
- Operating Frequencies: 2.412 to 2.484GHz and 4.90 to 5.85GHz
- Max modulation 256-QAM (MCS9)
- Channel width 20/40/80MHz (for 5GHz band)
- Reception up to 867Mbps Phy rate in 80MHz mode
- Digital Transmit Beamforming: both Explicit and Implicit
- Dual-Core ARC-based network processor with hardware assist blocks managing multiple 802.11 connections
- Embedded DSP Engine to hardware accelerate, Aggregation, De-Aggregation and packet re-ordering
- Host SoC Full Offload
- Packet Traffic Arbitration (PTA) interface to co-exist with other 2.4GHz wireless technologies such as BLE, Zigbee, and Thread.
- Supports repeater mode with Zero CPU cycle on Host SoC
- MU-MIMO Client
- 802.11 standards
 - 802.11a/n/ac & 802.11b/g/n
 - 802.11e QoS
 - 802.11h DFS and TPC for Station DFS support
 - 802.11i MAC Security Enhancements
 - 802.11k Radio Resource Management
 - 802.11w Protected Management Frames
- ViSiON-ready for Cloud-based Wi-Fi Management

Interfaces

Host

- RGMII/MII
- PCIe Gen 2.0

Peripheral

- GPIO
- UARTs
- SPI
- I2C

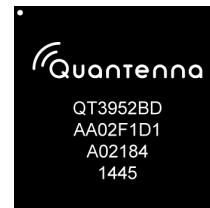
External Memory

- DDR2/DDR3 support: Reference Designs use 128MB or 256MB 16-bits DDR
- SPI Flash
- Serial EEPROM

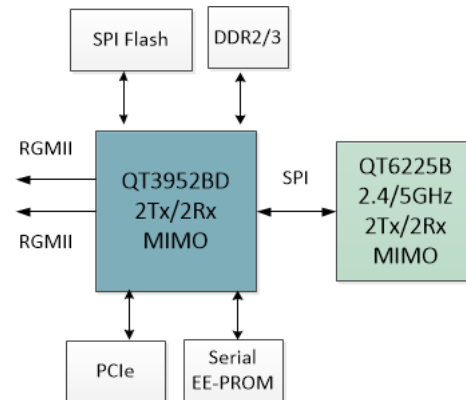
Applications

Thanks to its full-offload Wi-Fi capability and interfaces, QV942 can be hosted by most host processors, including basic Video SoC, and offer a maximum performance for applications such as:

- HD and UHD STB
- Over-The-Top STB
- Media Player



Block Diagram



Software Support

Quantenna SDK: Quantenna SDK allows rapidly integrating the most advanced wireless features onto your Linux-based system. A simple Quantenna Configuration and Status API (QCSAPI) allows the management of the Wi-Fi chipset by any Linux Host without complex integration or hardware dependency. The totality of 802.11 MAC is managed onboard Quantenna Baseband.

Integration on Android-based Systems is also possible.

Software Package: Complete software package for standard Access Point/Router/Mesh node in Linux with standard APIs to allow for easy porting.

ViSiON: QSR2000C supports ViSiON, a cloud-based service that allows for better remote support, faster field trials and deployment.

Certifications

Wi-Fi Alliance Certifications in Quantenna name

- Wi-Fi Certified a/n/ac Wave 2 (model number QHS840)
- WPA2-Personal (QHS842)
- Wi-Fi Certified b/g/n (QHS842)
- WMM (QHS842)

Worldwide Regulatory Domains compatible.

Contact

Quantenna Communications, Inc.

1704 Automation Parkway
San Jose, CA 95131 USA

sales-na@quantenna.com | www.quantenna.com